

ELEVATOR SYSTEM

THE WORLD... OUR PASSION
SINCE 1955

TECHNICAL BROCHURE

Skidding and elevator system are applied for the skidding, lifting and installation operations of heavy items, in:

- off-shore construction e.g. the installation of oil rig's topside, offshore modules, drilling rig towers
- Power generation transformer installation and widely used for heavy machine moving

Fagioli developed an innovative solution for the lifting, skidding and installation of heavy items. The system is a combination of skidding equipment and towerlift system which has been developed by Fagioli engineering department.



The module is moved toward the elevator system than it is skidded on elevator girders and positioned on skid shoes. Eventually the elevator girders are lifted till the top of the concrete base structure and the module is moved to its final position and lowered on its support.

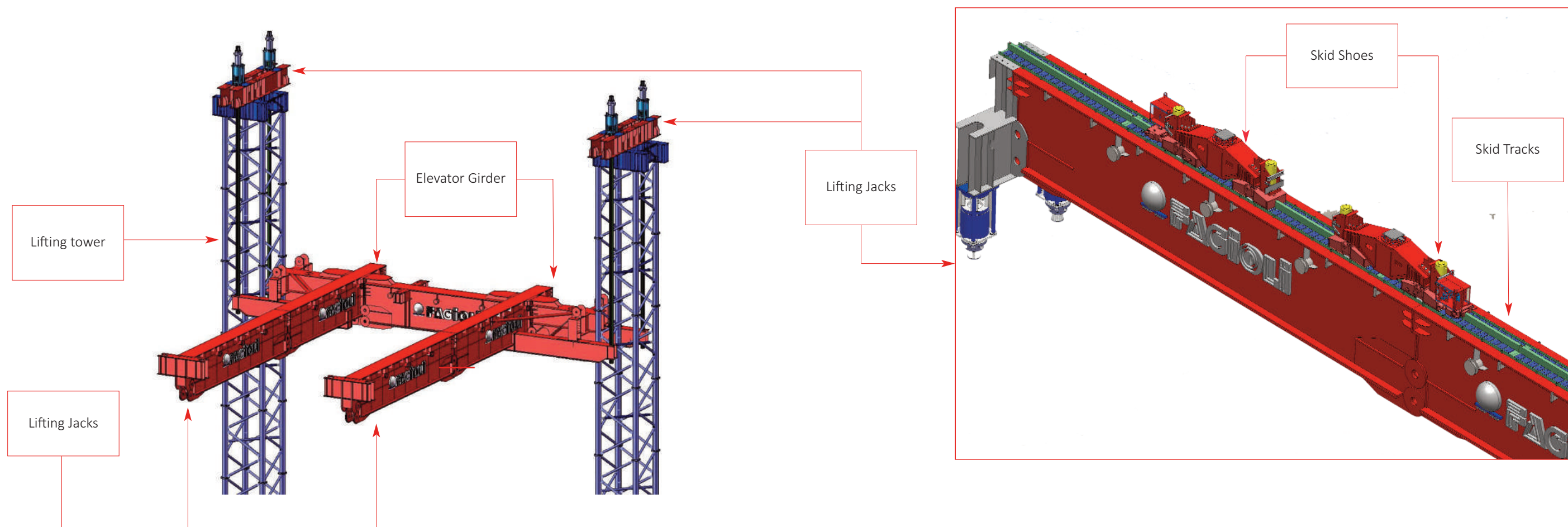
Used in joint combination with specially made elevator system, Fagioli are able to lift and skid pieces up to several thousands ton at a height more than 50 mts.

The in-house solutions proposed are tailor made, in accordance to the clients requirements under safety and quality requirements. The system shows an impressive lifting capacity up to 7200t and it is supported by some sophisticated and state-of-the-art components, such as:

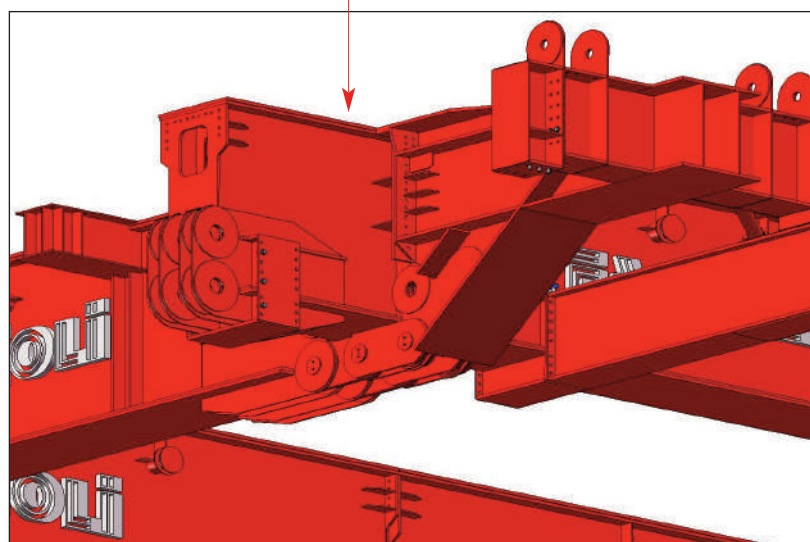
- Skid shoes and skid tracks
- Elevator girders
- Cantilever beams (connected to the existing structures)
- Lifting towers, strand jacks positioned on top of lifting towers and cantilever beams.



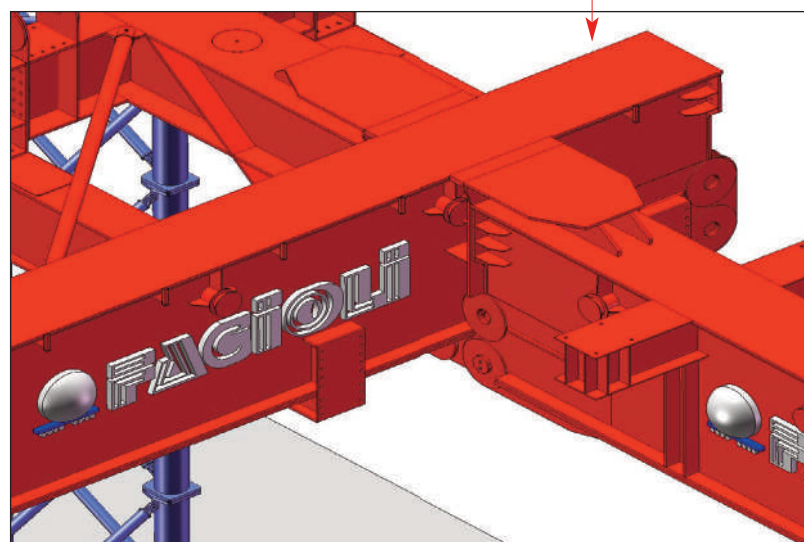
DETAIL OF AN ELEVATOR GIRDER



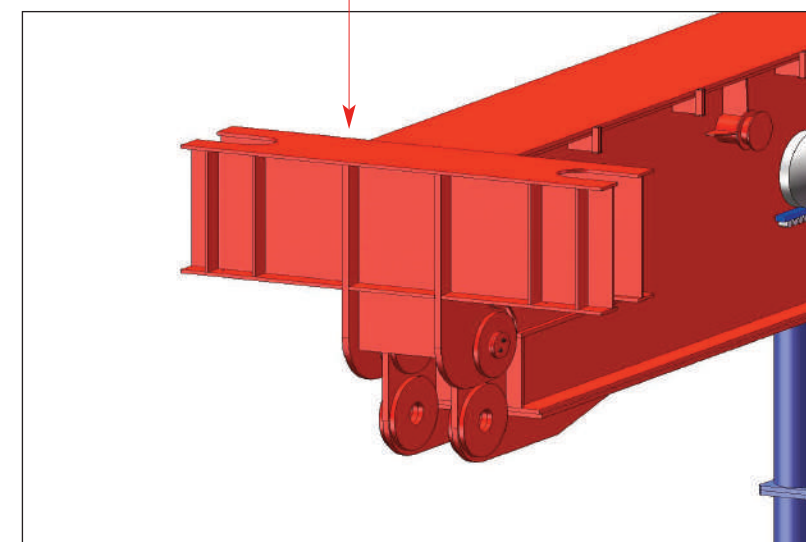
LONGITUDINAL GIRDER



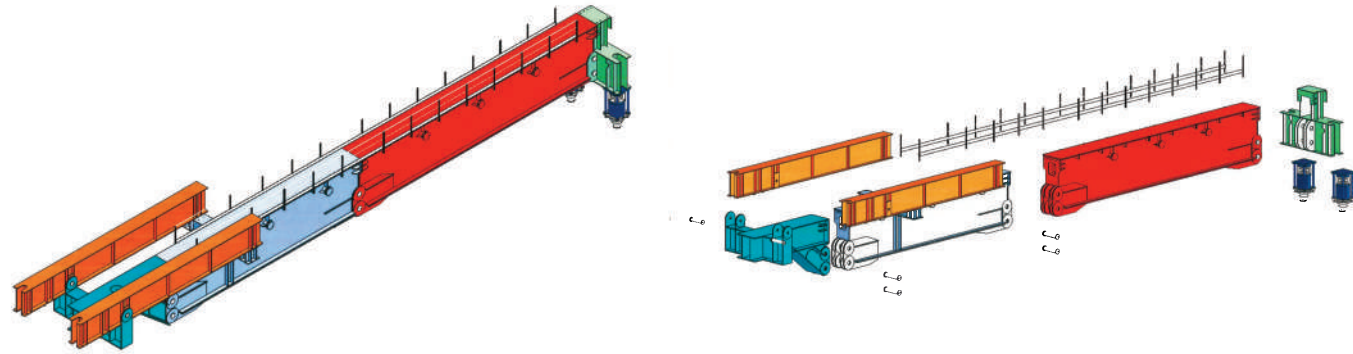
TRANSVERSE GIRDER



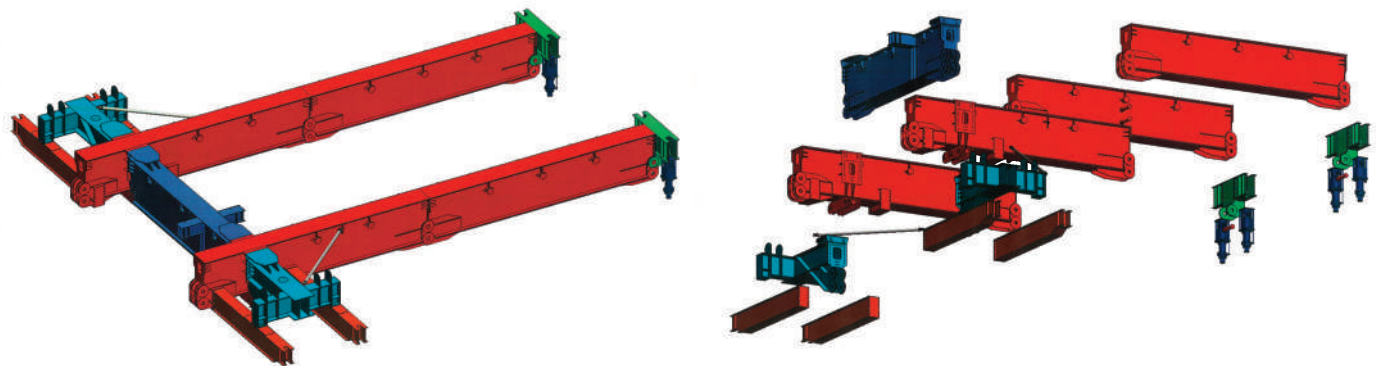
LIFTING JACK



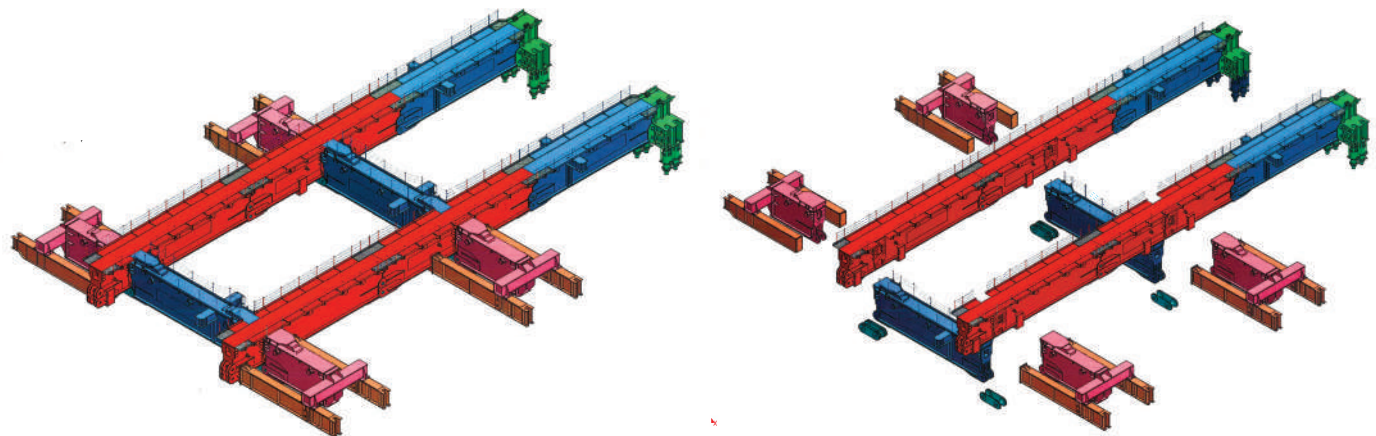
ADRIATIC LNG PROJECT



REPLACEMENT OF A BLAST FURNACE IN CHINA



ASSEMBLY OF AN OFFSHORE PLATFORM IN CANADA





FAGIOLI
VIA FERRARIS, 13 - 42049 S.ILARIO D'ENZA (RE)
PH+ 39 0522 6751
INFO@FAGIOLI.COM